



ATMOSPHERIC SEAL



GAS FLUSH



VACUUM/GAS



## GTSV

The GTSV is the world's first MA (modified atmosphere) carton sandwich wedge erecting and sealing machine.

A high throughput carton sandwich wedge de-nest, erect, gas flush and seal machine, capable of up to 75 Atmospheric packs per minute. This range has a unique 3 axis carton sandwich wedge transfer system enabling the sandwich cartons to be conveyed on hygienic carriers that have a single point size adjustment.

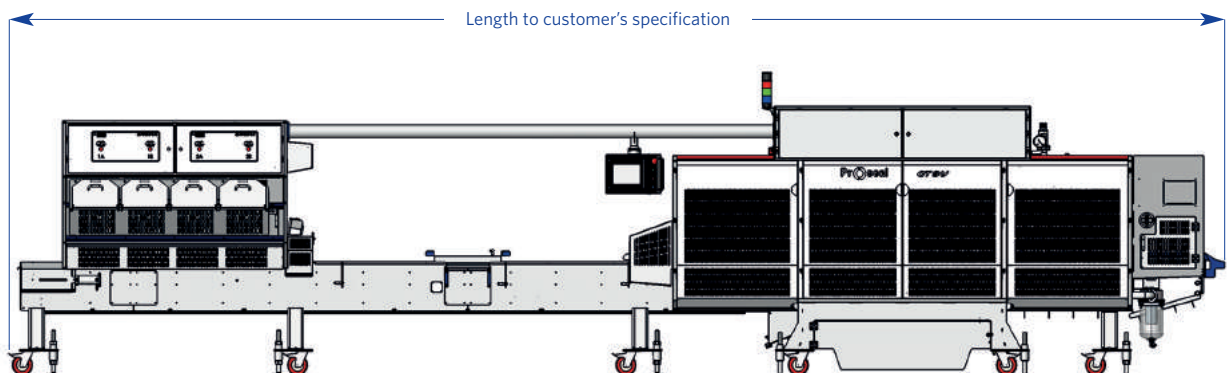
Able to handle a wide variety of carton sandwich wedge sizes, and with a sub 5 minute size change over, the GTSV is perfect for users requiring maximum throughput with the minimum of labour.

The GTSV has station options for label applicators and printers offering the customer a turnkey production line solution for carton sandwich packaging.

### Packaging Materials

#### Trays

- Carton Sandwich Wedges



## Standard design features and benefits

- All stainless steel and aluminium construction
- Fully automatic carton de-nesting and erecting with quick size change
- Food industry approved hygienic construction and wash-down protection
- Full Category 3 guarding
- User friendly, menu-driven control panel with step-by-step prompts, error and status displays, and useful batch pack counter
- Recipe handling of machine settings
- Internet connection for remote monitoring and fault diagnostics
- Fully integrated control of machine and ancillary equipment
- Servo driven 3 axis carton sandwich wedge handling system for perfect presentation
- Automatic carton sandwich wedge eject
- Can run carton widths up to 110mm with ultra-quick size change
- Self-diagnostic system
- Pendant mounted colour touch screen HMI control for full double-sided operation
- Recipe driven auto machine set-up for tool change
- Automatic tool clamp for mechanical and electrical connection
- V style out feed conveyor gives excellent presentation of packs to Laser date coders and labelling equipment
- **Eseal®** - high-performance, high-precision, high-force, energy-efficient, electric seal system that boasts a massive increase in seal force

## Options available

- Vacuum Gas Flush MAP (Modified Atmosphere Packaging) for extended shelf life
- Laser printer for on-line date coding
- Video recognition for packaging verification
- Label applicator
- **eWON** - a machine connection system to deliver real time data and error condition support, remote setup, and software upgrades, using a customer's existing IT network
- Remote live windows based link for production monitoring and trends
- Down-stream integration with check weigh and metal detector
- **Hot Rod** - long-lasting, water resistant seal tool heating element giving reduced energy consumption especially developed for sealing Smooth Wall Foil Trays
- Sale, Lease Purchase and Rental options available



SANDWICHES | BOARD



SANDWICHES | BOARD

## GTSV Specifications

Height	2472mm
Standard Length	8488mm minimum - Overall length to suit customer requirements
Width	1332mm
Weight	specification dependent
Electrical Supply	400V 3 phase + neutral (fused at 32A)
Transformer Variations	480V 3 phase (fused at 20A)

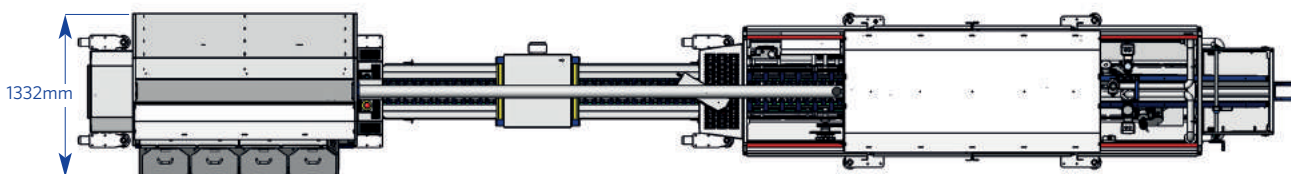
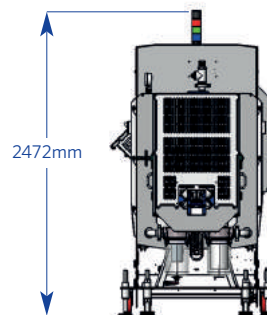
## Metric Imperial

Pressure	Flow	Pressure	Flow
6 Bar	50L/Min	87psi	1.7CFM

Transformers are available to accommodate the electrical supplies in different countries

## GTSV Sealing Capacity

65mm up to 95mm wide sandwich pack sizes  
8 impression tooling - 5.25" tooling pitch



for more information UK +44 (0) 1625 856 600 America +1 804 447 9038 Australia +61 (0) 3 9397 0955

[www.proseal.com](http://www.proseal.com)